

PELLETIZING & PULVERIZING SYSTEMS >

> STRAND PELLETIZING



## M-ASG

Strand pelletizing system  
for high production capacities



When it comes to high throughput rates with consistently high pellet quality, the dry-cut pelletizers of the M-ASG series are the right choice. They are suitable for throughputs of up to 12,500 kg/h and can be adapted to individual requirements using variable system components.

### Your benefits

- Sturdy, double-sided bearing of the cutting rotor to meet highest stability and consistency standards
- Roller bearings positioned outside the cutting chamber to allow high production temperatures
- Changes on the pellet length and weight to be made with Dual Drive
- Integration into JSG system feasible
- Very high machine availability due to wear-resistant cutting tools

# M-ASG

## Functionality and system components

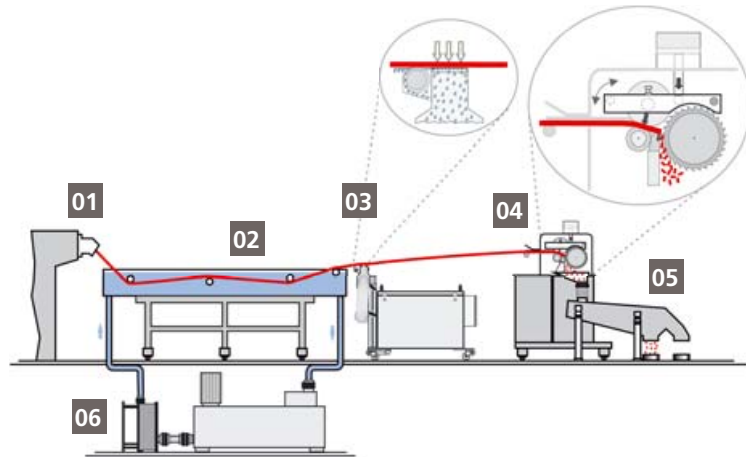
### Functioning of the WSG systems

Polymer strands extruded from a die head **01** pass through the cooling trough **02**.

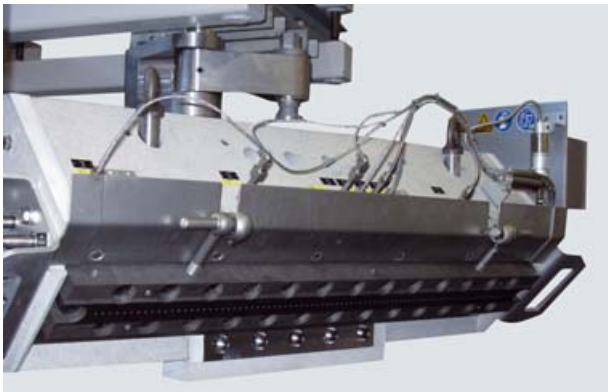
The air knife **03** ensures effective strand drying prior to cutting. The residual moisture after strand drying evaporates in the evaporation section.

The feed tools of the strand pelletizer **04** catch the polymer strands and direct them to the cutting tools where the strands are cut into pellets.

The pellets are classified, cooled and conveyed in subsequent operations **05**. The cooling water is filtered and temperature controlled in a process water unit **06** and then returned to the cooling trough.



### WSG system components



SG 900C die head



KW 1.400 cooling trough for up to 130 strands



PWA 20 process water unit



SE 400-2 air knife for dewatering

# M-ASG

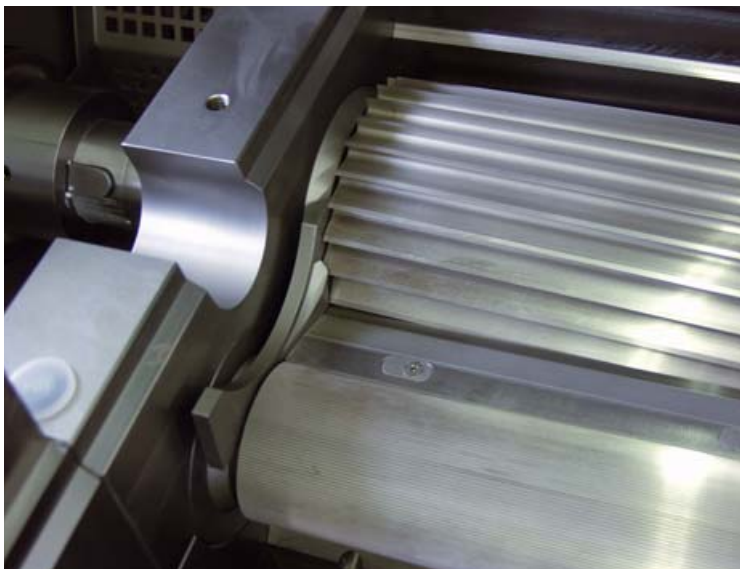
## Strand pelletizer



Quick and easy access to all cutting chamber components, without the need for tools

### Strand pelletizer

- Strand draw-in speeds of up to 180 m/min possible
- Quick and easy access for cleaning and setting
- Lower feed roll driven by a separate motor and belt drive allowing a variable adjustment of the pellet length
- The design of the knife holder ensures minimum deformation of the cutting blade and highly consistent cutting gap
- Easy-exchange cutting head guarantees maximum machine availability
- No deposits within the cutting head
- Upper feed roll bearings outside of the cutting chamber and gap-free stripper at M-ASG (patent number DE10103827)
- Can be integrated into automatic JSG system
- Driven upper feed roll with rubber coating, grooved or knurled steel roller
- Upper feed roll and cutting head cooling



View into the cutting chamber

### Cutting tools

- Long service life of cutting tools depending on the selection of materials, e.g. cutting rotor for PA with 15-50 % glass fiber > 1,000 hours
- Wide range of materials, e.g. stainless tool steel, tungsten carbide, ceramics, and diamond
- Wedged cutting rotor with positive interlock available (patent number DE19855617)
- Patented stripper for best process stability (patent number DE10103827B4)
- patented wear protection for additionally increased service life of the cutting components (patent number EP2190638B1)

# M-ASG

## Technical data

Technical data:	M-ASG 600	M-ASG 900
Operating width:	600 mm	900 mm
Drive system:	AC motor with belt drive	
Motor power of pelletize:	22-45 kW	30-75 kW
Line speed at pellet length of 3 mm:	30-120 m/min	
No. of strands at a 75 % utilization rate and a pellet diameter of 3 mm:	150	225

Throughput rates [kg/h]*:		M-ASG 600	M-ASG 900
Product:	Density [g/cm <sup>3</sup> ]		
PP, PE:	0,91	6.000	9.000
GPPS, SAN:	1,04	7.000	10.500
ABS, HIPS:	1,04	7.000	10.500
PMMA:	1,18	7.000	10.500
PC:	1,20	7.000	10.500
PET, PBT, PC:	1,31	8.500	12.500
PA 6, PA 6.6:	1,14	6.000	9.000
PET, PBT, PA, PP + 15 bis 50 % glass fiber:	1,00	5.000	7.500
	1,55	6.300	9.500

\* Pellet length 3 mm, pellet diameter 3 mm, and maximum number of strands

